

Request For Quotation

Order the parts you need from our real-time inventory database. Simply complete a request for quotation form with your part information and a sales representative will respond to you with price and availability.

[Request For Quotation](#)

Your free datasheet starts on the next page.

More datasheets and data books are available from our homepage: <http://www.datasheetarchive.com>

HIGH VOLTAGE NPN SILICON POWER TRANSISTOR

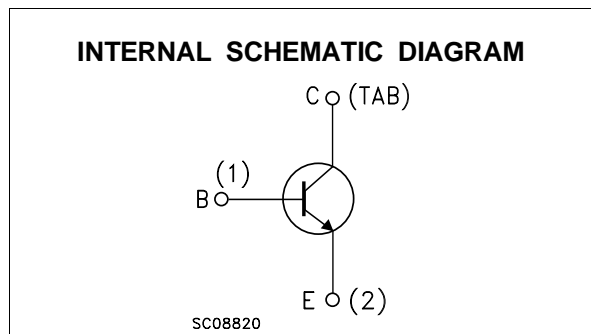
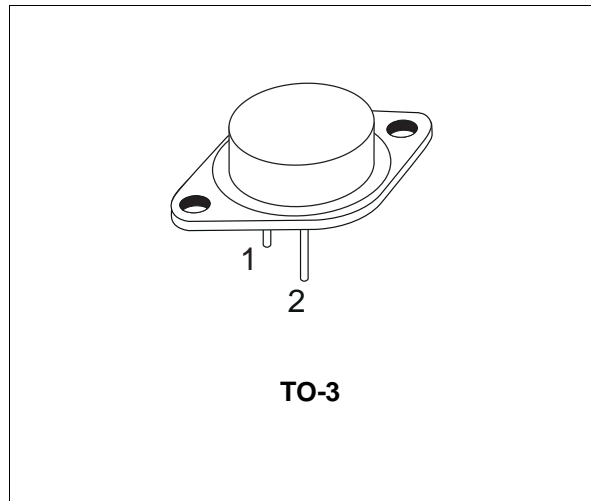
- SGS-THOMSON PREFERRED SALESTYPE
- NPN TRANSISTOR
- FAST SWITCHING SPEED

APPLICATIONS:

- POWER SUPPLIES
- LINEAR AND SWITCHING INDUSTRIAL EQUIPMENT

DESCRIPTION

The BU326A is a silicon multiepitaxial mesa NPN transistor in Jedec TO-3 metal case particularly intended for switch-mode CTV supply system.


ABSOLUTE MAXIMUM RATINGS

Symbol	Parameter	Value	Unit
V_{CES}	Collector-Emitter Voltage ($V_{BE} = 0$)	900	V
V_{CEO}	Collector-Emitter Voltage ($I_B = 0$)	400	V
V_{EBO}	Emitter-Base Voltage ($I_C = 0$)	10	V
I_C	Collector Current	6	A
I_{CM}	Collector Peak Current	8	A
I_B	Base Current	3	A
P_{tot}	Total Power Dissipation at $T_{case} \leq 25\text{ }^\circ\text{C}$	75	W
T_{stg}	Storage Temperature	-65 to 200	$^\circ\text{C}$
T_j	Max. Operating Junction Temperature	200	$^\circ\text{C}$

BU326A

THERMAL DATA

$R_{thj-case}$	Thermal Resistance Junction-case	Max	2.33	$^{\circ}C/W$
----------------	----------------------------------	-----	------	---------------

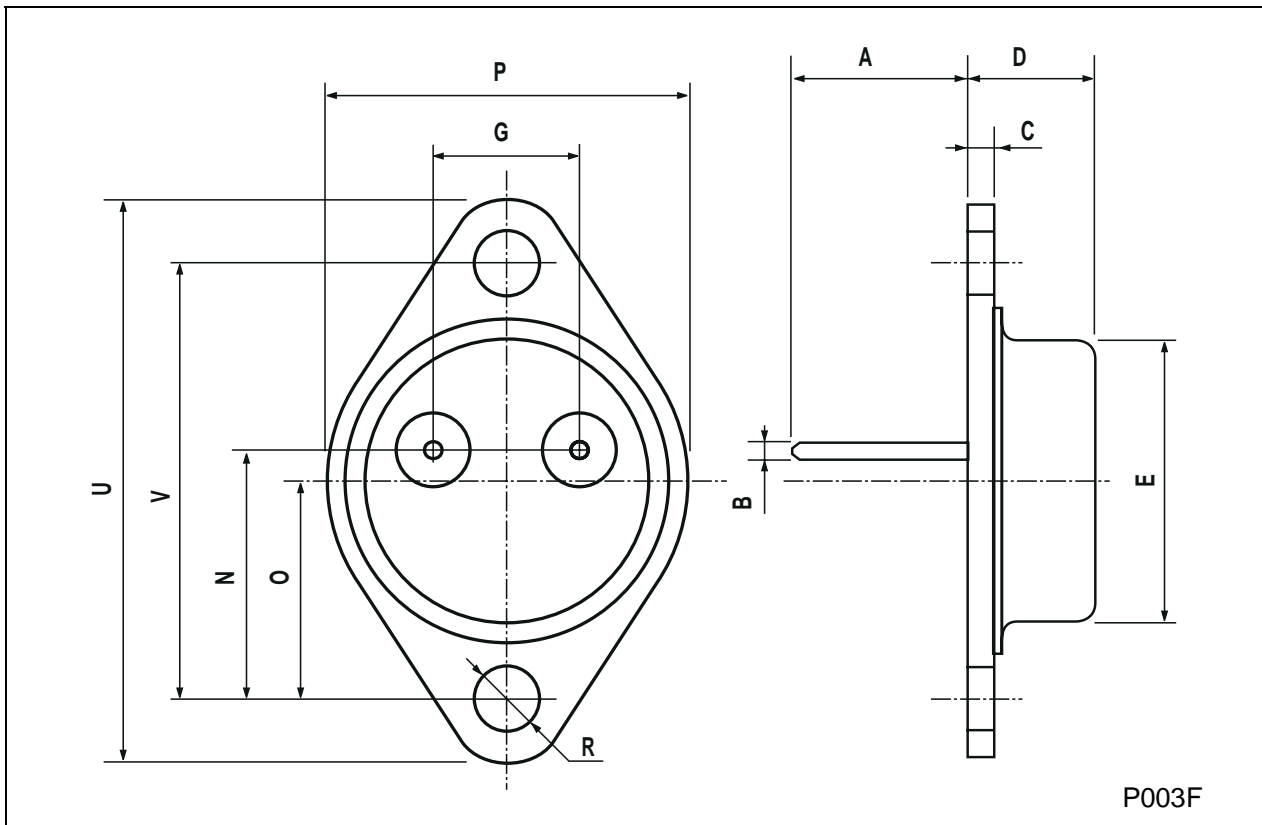
ELECTRICAL CHARACTERISTICS ($T_{case} = 25^{\circ}C$ unless otherwise specified)

Symbol	Parameter	Test Conditions	Min.	Typ.	Max.	Unit
I_{CES}	Collector Cut-off Current ($V_{BE} = 0$)	$V_{CE} = 900 V$ $V_{CE} = 900 V \quad T_c = 125^{\circ}C$			1 2	mA mA
I_{EBO}	Emitter Cut-off Current ($I_C = 0$)	$V_{EB} = 10 V$			10	mA
$V_{CEO(sus)}^*$	Collector-Emitter Sustaining Voltage($I_B = 0$)	$I_C = 100 mA$	400			V
$V_{CE(sat)}^*$	Collector-Emitter Saturation Voltage	$I_C = 2.5 A \quad I_B = 0.5 A$ $I_C = 4 A \quad I_B = 1.25 A$			1.5 3	V V
$V_{BE(sat)}^*$	Base-Emitter Saturation Voltage	$I_C = 2.5 A \quad I_B = 0.5 A$ $I_C = 4 A \quad I_B = 1.25 A$			1.4 1.6	V
h_{FE}^*	DC Current Gain	$I_C = 1 A \quad V_{CE} = 5 V$		25		
t_{on}	Turn-on Time	$I_C = 2.5 A \quad I_{B1} = 0.5 A$ $V_{CC} = 250 V$			0.5	μs
t_s	Storage Time	$I_C = 2.5 A \quad I_{B1} = 0.5 A$ $I_{B2} = -1 A A \quad V_{CC} = 250 V$			3.5	μs
t_f	Fall Time	$I_C = 2.5 A \quad I_{B1} = 0.5 A$ $I_{B2} = -1 A A \quad V_{CC} = 250 V$			0.5	μs

* Pulsed: Pulse duration = 300 μs , duty cycle 1.5 %

TO-3 MECHANICAL DATA

DIM.	mm			inch		
	MIN.	TYP.	MAX.	MIN.	TYP.	MAX.
A	11.00		13.10	0.433		0.516
B	0.97		1.15	0.038		0.045
C	1.50		1.65	0.059		0.065
D	8.32		8.92	0.327		0.351
E	19.00		20.00	0.748		0.787
G	10.70		11.10	0.421		0.437
N	16.50		17.20	0.649		0.677
P	25.00		26.00	0.984		1.023
R	4.00		4.09	0.157		0.161
U	38.50		39.30	1.515		1.547
V	30.00		30.30	1.187		1.193



Information furnished is believed to be accurate and reliable. However, SGS-THOMSON Microelectronics assumes no responsibility for the consequences of use of such information nor for any infringement of patents or other rights of third parties which may result from its use. No license is granted by implication or otherwise under any patent or patent rights of SGS-THOMSON Microelectronics. Specifications mentioned in this publication are subject to change without notice. This publication supersedes and replaces all information previously supplied. SGS-THOMSON Microelectronics products are not authorized for use as critical components in life support devices or systems without express written approval of SGS-THOMSON Microelectronics.

© 1997 SGS-THOMSON Microelectronics - Printed in Italy - All Rights Reserved

SGS-THOMSON Microelectronics GROUP OF COMPANIES
Australia - Brazil - Canada - China - France - Germany - Hong Kong - Italy - Japan - Korea - Malaysia - Malta - Morocco - The Netherlands -
Singapore - Spain - Sweden - Switzerland - Taiwan - Thailand - United Kingdom - U.S.A
...